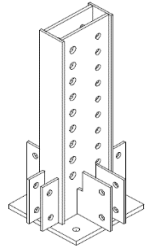


# PERI Rental Criteria

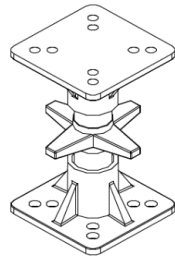
## Hong Kong Product



### Content:



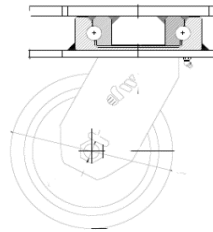
**200000**



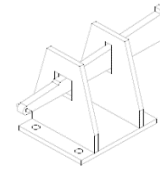
**200001  
(200415)**



**200010**



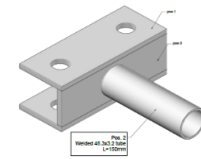
**200018**



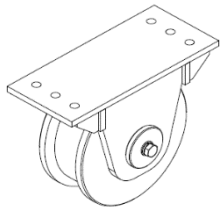
**200072**



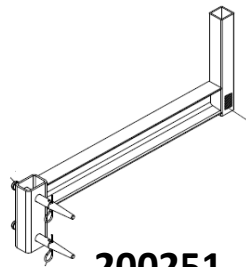
**200099**



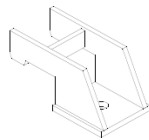
**200195  
(200404)**



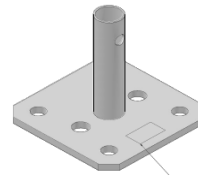
**200213**



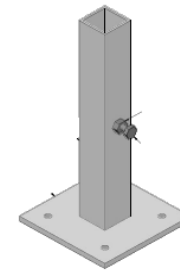
**200251**



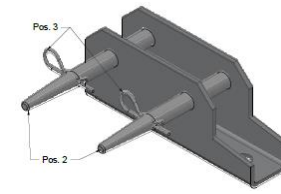
**200254**



**200277**



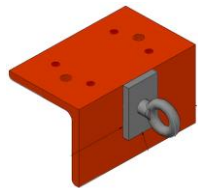
**200420**



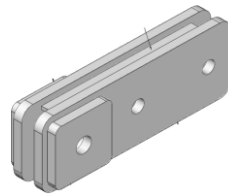
**200413**



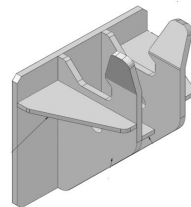
**200662**



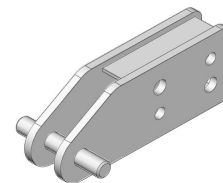
**200421**



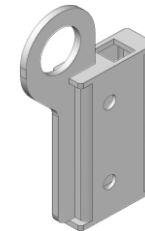
**200422**



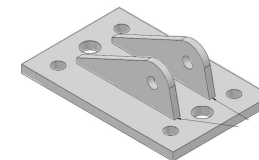
**200424**



**200425**



**200426**



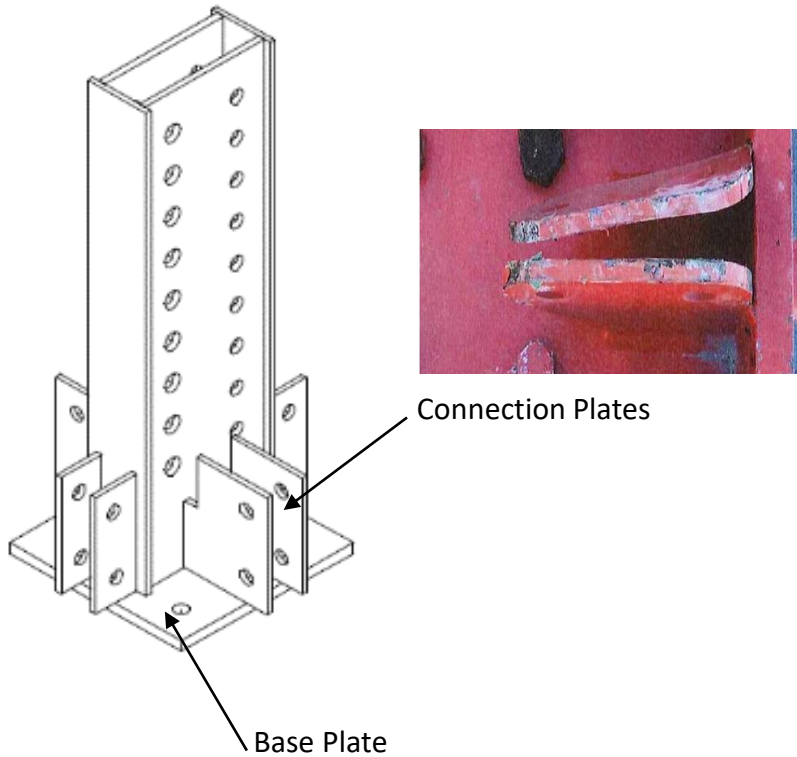
**200111**

# PERI Rental Criteria

## Hong Kong Product



Item no. 200000	VST Base / Head Connector	Description	Instruction	Billing Instruction	Type
-----------------	---------------------------	-------------	-------------	---------------------	------



Base and Connection Plates are bent:

- If possible



088244



- Or if not possible



- Cracks in welding



Drilled holes, Cut, Welded other items

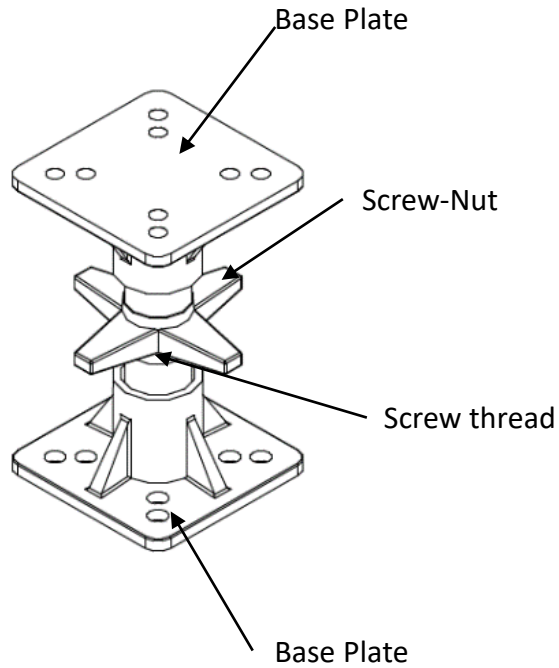


# PERI Rental Criteria

## Hong Kong Product



Item no. 200001 (200415)	Screw Jack 100T	Description	Instruction	Billing Instruction	Type
--------------------------	-----------------	-------------	-------------	---------------------	------



Screw thread is damaged



Screw-Nut is damaged



Base Plates are bent/damage:

- If possible



088244



- Or if not possible



Drilled holes, Cut, Welded other items

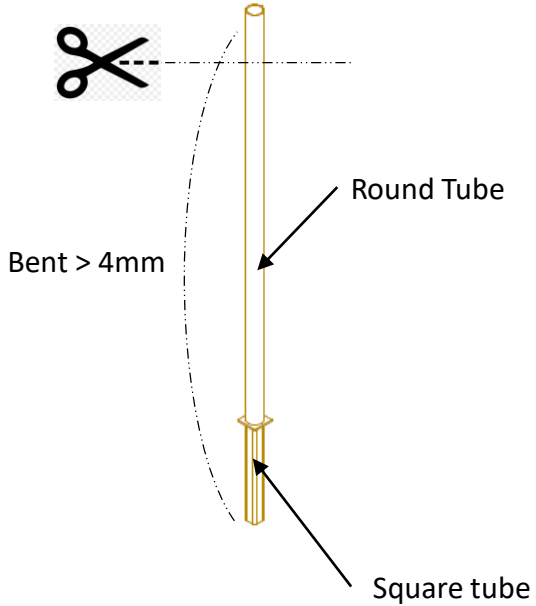


# PERI Rental Criteria

## Hong Kong Product



Item no. 200010	Guardrail Post	Description	Instruction	Billing Instruction	Type
-----------------	----------------	-------------	-------------	---------------------	------



Round or Square tubes bent/cut



Drilled holes, Welded other items

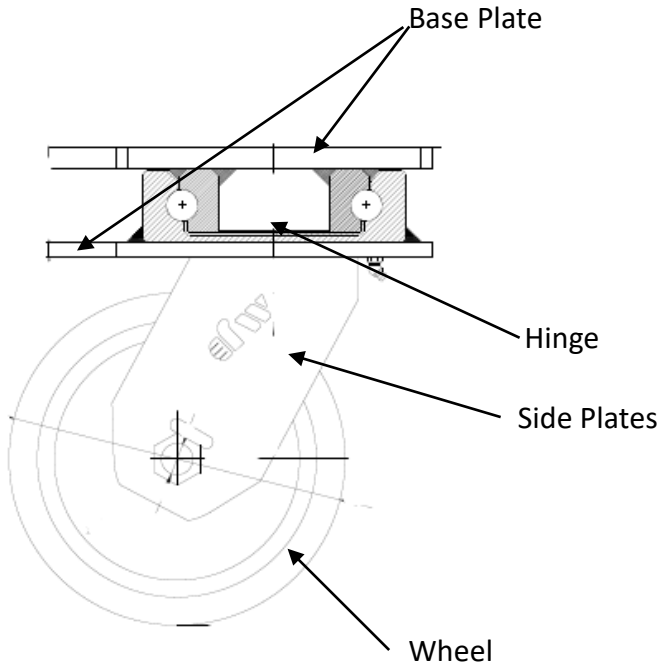


# PERI Rental Criteria

## Hong Kong Product



Item no. 200018	Casters (88D42980SZ8)	Description	Instruction	Billing Instruction	Type
-----------------	-----------------------	-------------	-------------	---------------------	------



Wheel/Hinge no longer functional



Base and Side Plates are bent/damage:

- If possible



088244



- Or if not possible



- Cracks in welding



Drilled holes, Cut, Welded other items

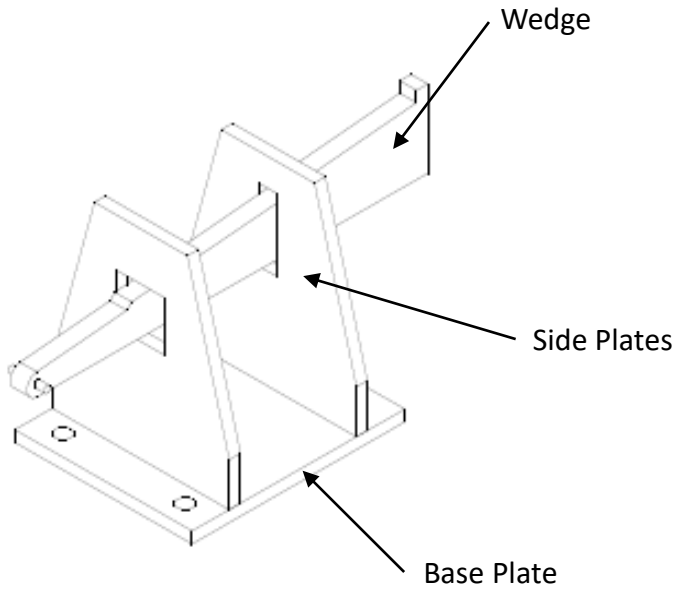


# PERI Rental Criteria

## Hong Kong Product



Item no. 200072	Wheel Adapter	Description	Instruction	Billing Instruction	Type
-----------------	---------------	-------------	-------------	---------------------	------



Wedge is lost



Base and Side Plates are bent/damage:

- If possible



088244



- Or if not possible



- Cracks in welding

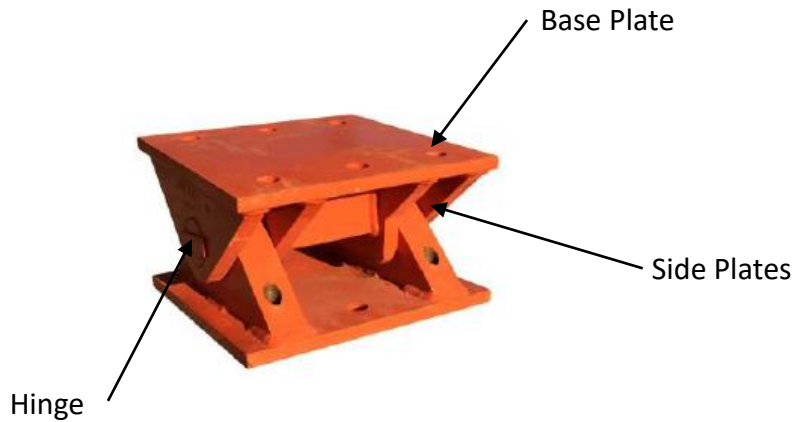


# PERI Rental Criteria

## Hong Kong Product



Item no. 200099	Megashor Rocking Head	Description	Instruction	Billing Instruction	Type
-----------------	-----------------------	-------------	-------------	---------------------	------



Hinge no longer functional



Base and Side Plates are bent/damage:

- If possible



088244



- Or if not possible



- Cracks in welding



Drilled holes, Cut, Welded other items

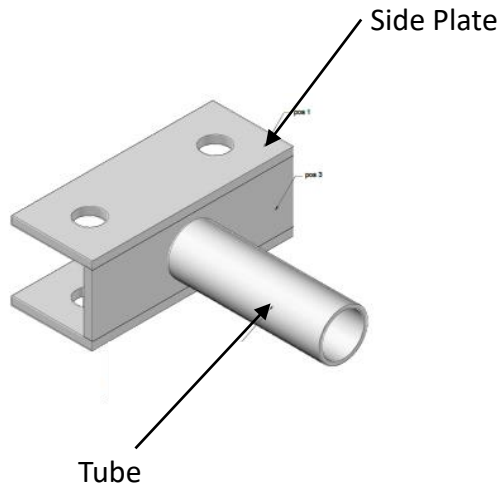


# PERI Rental Criteria

## Hong Kong Product



Item no. 200195 (200404)	RCS Tube Adapter	Description	Instruction	Billing Instruction	Type
--------------------------	------------------	-------------	-------------	---------------------	------



**Tube bent/cut**



**Side Plates are bent/damage:**

- **If possible**



088244



- **Or if not possible**



- **Cracks in welding**



**Drilled holes, Cut, Welded other items**





# PERI Rental Criteria

## Hong Kong Product



Item no. 200213 Heavy Duty Wheel 40T	Description	Instruction	Billing Instruction	Type
<p>Base Plate</p> <p>Side Plates</p> <p>Wheel</p>	<p>Wheel no longer functional</p>			
	<p>Base and Side Plates are bent/damage:</p> <ul style="list-style-type: none"> <li>▪ If possible</li> </ul>		088244	
	<ul style="list-style-type: none"> <li>▪ Or if not possible</li> </ul>			
	<ul style="list-style-type: none"> <li>▪ Cracks in welding</li> </ul>			
	<p>Drilled holes, Cut, Welded other items</p>			

# PERI Rental Criteria

## Hong Kong Product



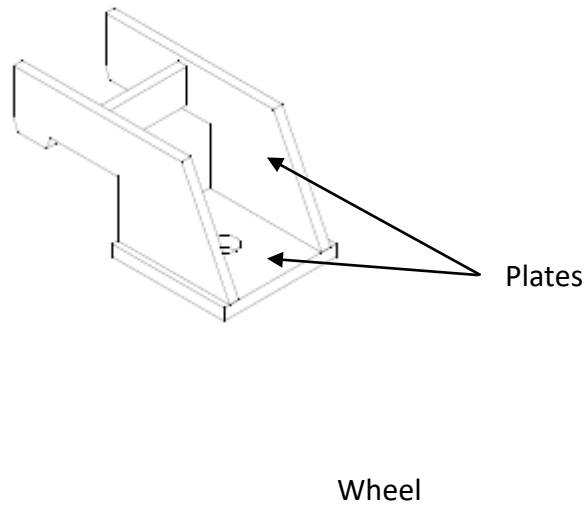
Item no. 200251	Platform Beam SRU	Description	Instruction	Billing Instruction	Type
		<p>Pin/Cotter pin missing or damage</p>		<p>104031 018060</p>	
	<p>Tubes/Profile</p>				
	<ul style="list-style-type: none"> <li>▪ bent (&gt;3mm)/cut</li> </ul>				
	<ul style="list-style-type: none"> <li>▪ cracks in welding</li> </ul>				
<p>Drilled holes, Cut, Welded other items</p>					

# PERI Rental Criteria

## Hong Kong Product



Item no. 200254	Trio Uplift Bracket	Description	Instruction	Billing Instruction	Type
-----------------	---------------------	-------------	-------------	---------------------	------



Plates bent/damage:

- If possible



088244



- Or if not possible



- Cracks in welding

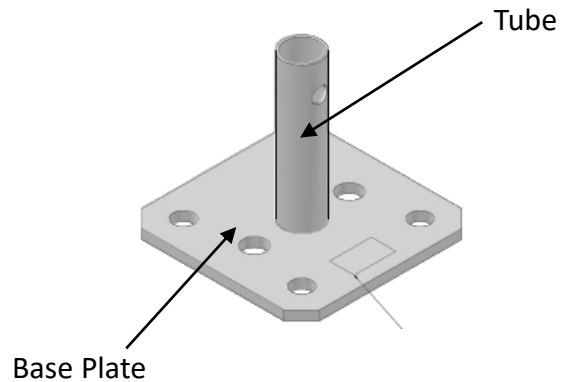


# PERI Rental Criteria

## Hong Kong Product



Item no. 200277	Base Plate UJP-2	Description	Instruction	Billing Instruction	Type
		Tube bent/cut			
		Base Plates is bent/damage:		088244	
		▪ If possible			
		▪ Or if not possible			
		▪ Cracks in welding			

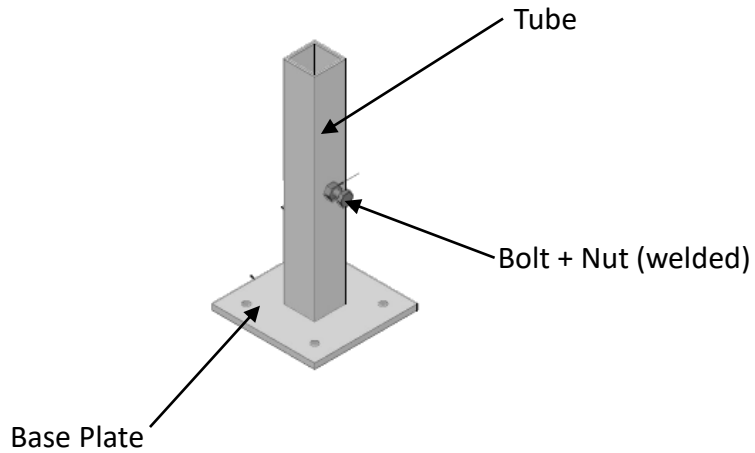


# PERI Rental Criteria

## Hong Kong Product



Item no. 200420	Guardrail Post Holder	Description	Instruction	Billing Instruction	Type
-----------------	-----------------------	-------------	-------------	---------------------	------



Tube bent/cut



Bolt missing



107324



Base Plates is bent/damage:

▪ If possible



088244



▪ Or if not possible



▪ Cracks in welding

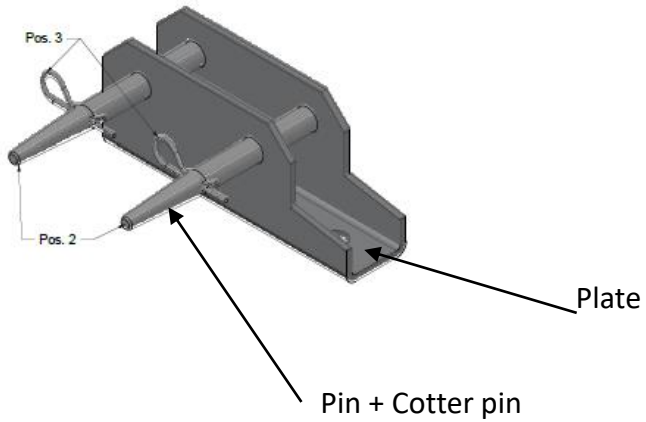


# PERI Rental Criteria

## Hong Kong Product



Item no. 200413	Base Plate Uni	Description	Instruction	Billing Instruction	Type
-----------------	----------------	-------------	-------------	---------------------	------



Pin/Cotter pin missing or damage



104031  
018060



Base Plates is bent/damage:

- If possible



088244



- Or if not possible



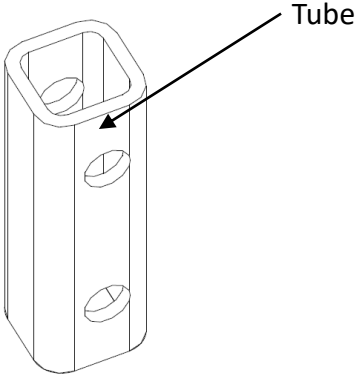
# PERI Rental Criteria

## Hong Kong Product



Item no. 200662	HORIZONTAL CONNECTOR VST 37,5-2	Description	Instruction	Billing Instruction	Type
-----------------	---------------------------------	-------------	-------------	---------------------	------

Tube damage/cut

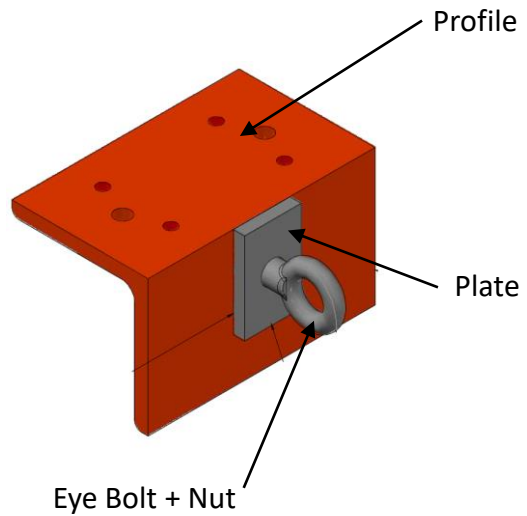


# PERI Rental Criteria

## Hong Kong Product



Item no. 200421	TIMBER FIXATION RCS-SRU HK	Description	Instruction	Billing Instruction	Type
-----------------	----------------------------	-------------	-------------	---------------------	------



Profile bent/cut



Eye Bolt/Nut missing



110281  
200003



Drilled holes, Cut, Welded other items



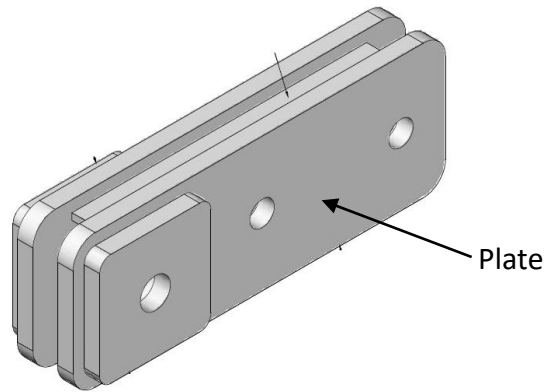


# PERI Rental Criteria

## Hong Kong Product



Item no. 200422	CORNER CONNECTOR RCS-SRU 90HK	Description	Instruction	Billing Instruction	Type
		Plates bent/cut			
		Drilled holes, Cut, Welded other items			
		Cracks in welding			



# PERI Rental Criteria

## Hong Kong Product



Item no. 200424	MOUNTING SHOE-2 M24	Description	Instruction	Billing Instruction	Type	
		<b>Base and Side Plates is bent/damage:</b>			088244	
		<ul style="list-style-type: none"> <li>▪ If possible</li> </ul>				
		<ul style="list-style-type: none"> <li>▪ Or if not possible</li> </ul>				
		<ul style="list-style-type: none"> <li>▪ Cracks in welding</li> </ul>				
		<b>Drilled holes, Cut, Welded other items</b>				

# PERI Rental Criteria

## Hong Kong Product



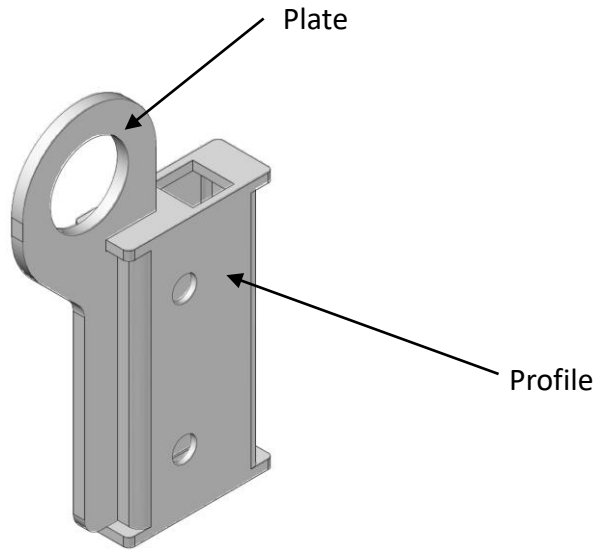
Item no. 200425	MOUNTING BRACKET RCS-2	Description	Instruction	Billing Instruction	Type
		<b>Side Plates is bent/damage:</b>			
		<ul style="list-style-type: none"> <li>▪ If possible</li> </ul>		 088244	
		<ul style="list-style-type: none"> <li>▪ Or if not possible</li> </ul>			
		<ul style="list-style-type: none"> <li>▪ Cracks in welding</li> </ul>			
		<b>Bar is bent/damage:</b>			
		<b>Drilled holes, Cut, Welded other items</b>			

# PERI Rental Criteria

## Hong Kong Product



Item no. 200426	GUARDRAIL POST BRACKET RCS-2	Description	Instruction	Billing Instruction	Type
-----------------	------------------------------	-------------	-------------	---------------------	------



Plates/Profile is bent/damage:

- If possible



088244



- Or if not possible



- Cracks in welding



Drilled holes, Cut, Welded other items



# PERI Rental Criteria

## Hong Kong Product




















Item no. 200111	BRACING SHOE RCS DW15	Description	Instruction	Billing Instruction	Type	
		Plates is bent/damage:				
		▪ If possible			088244	
		▪ Or if not possible				
		▪ Cracks in welding				
		Drilled holes, Cut, Welded other items				

# PERI Rental Criteria

## Glossar Icons



Icon	Significance	Icon	Significance	Icon	Significance
	Not OK – Material is scrap		Billing necessary (customer)		Optical damage
	OK—Material stays in rental park		No billing necessary		Functional damage
	Scrap material— it's not permitted to hand out the material because of safety aspects		Shorten the material		Functional damage– it's not permitted to hand out the material
	Repair according to instruction		Mark the material		Static damage– it's not permitted to hand out the material
	Fix material cold– Afterwards check weld seams and bordering components		Replace damaged material		
	Repair after local economic efficiency calculation		Replace missing material		
	Clean the material				