

GRIDFLEX

The flexible slab formwork
with safe accessible grid elements

Product Brochure – Edition 06/2017



Content

GRIDFLEX

- 4 The flexible slab formwork with safely accessible grid elements

System advantages

- 6 Safe shuttering procedure
- 8 Simple working operations
- 10 Filler areas are quickly closed

Components overview GRIDFLEX

- 12 Components

Edition 06/2017

Publisher

PERI GmbH
Formwork Scaffolding Engineering
Rudolf-Diesel-Strasse 19
89264 Weissenhorn
Germany
Tel. +49 (0)7309.950-0
Fax +49 (0)7309.951-0
info@peri.com
www.peri.com

Important notes

All current safety regulations and guidelines applicable in those countries where our products are used must be observed.

The photos shown in this brochure feature construction sites in progress. For this reason, safety and anchor details in particular cannot always be considered as conclusive or final. These are subject to the risk assessment carried out by the contractor.

In addition, computer graphics are used which are to be understood as system representations. For ensuring a better understanding, these and the detailed illustrations shown have been

partially reduced to show certain aspects.

The safety installations which have possibly not been shown in these detailed descriptions must nevertheless be available. The systems or items shown might not be available in every country.

Safety instructions and load specifications are to be strictly observed at all times. Separate structural calculations are required for any deviations from the standard design data.

The information contained herein is subject to technical changes in the interests of progress. Errors and typographical mistakes reserved.

GRIDFLEX Grid Element Slab Formwork

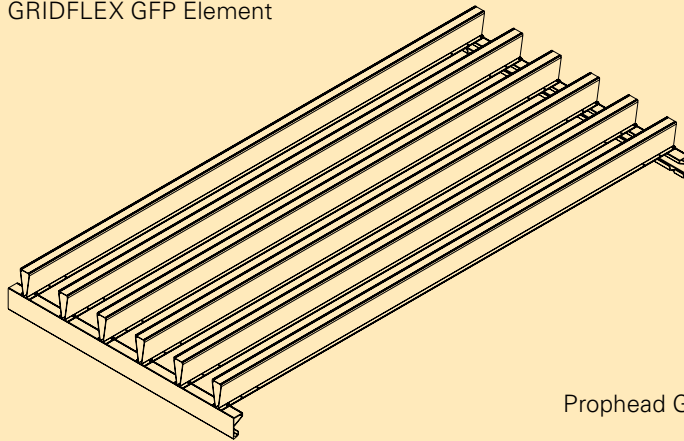
The flexible slab formwork with safely accessible grid elements

The lightweight GRIDFLEX Slab Formwork is used for constructing residential and multi-storey buildings. Slab thicknesses up to 33 cm can be realized with the formwork. In order to concrete slabs up to 67 cm thick, the panels have to be additionally supported in the centre. The standard panel weighs only 20 kg and is swivelled upwards from the assembly area by means of the shuttering aid. Slab props are subsequently hooked in and vertically aligned. On the now accessible girder grid, the formlining of choice can be installed. The recurring systematic assembly sequence ensures fast working operations.

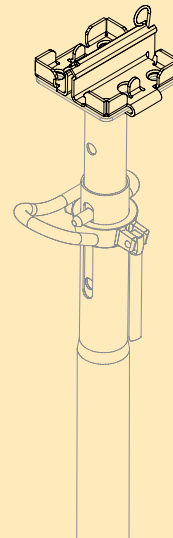
Only 2 system components

required for placing the girder grid in a standard bay

GRIDFLEX GFP Element



Prophead GFH



Safe shuttering procedure

by swivelling the panels upwards with site personnel positioned on the slab below

Simple working operations

through a systematic assembly sequence with only one standard and two compensation panels

Filler areas are quickly closed

through a simple change of direction of the panels along with the use of transverse and longitudinal infills

Assembly

Hook in the GRIDFLEX element from below, ...



... align horizontally with the shuttering aid, then attach the slab prop and position vertically.



Following this, install formlining of choice on the safely accessible girder grid.

Certified many times



Safe shuttering procedure

Panels are swivelled upwards with site personnel positioned safely on the slab below

The special feature of the GRIDFLEX is the high level of safety requirements which extends throughout the entire sequence of operations. Initially, the system is securely fixed to the building in both longitudinal and transverse directions using the Wall Holder. This means that the system is securely held in position during the systematic shuttering procedure that follows.



Safe shuttering operations from the level below

The girder grid elements are simply swivelled upwards into position by means of the shuttering aid. Subsequently, the slab prop with Prophead is hooked into the panel and vertically positioned. The same systematic assembly sequence each time prevents any mistakes during forming.

Safety through guardrails installed on the building edges

The Guardrail GF 100 is pre-assembled on the ground and then swivelled upwards into position together with the panel. Bracing must be installed in order to ensure that the panel can be safely pushed upwards and secured throughout forming operations.



**Safely accessible area for installing the formlining**

The small beam spacing of only 13 cm provides a safe working area for site personnel to install the formlining.

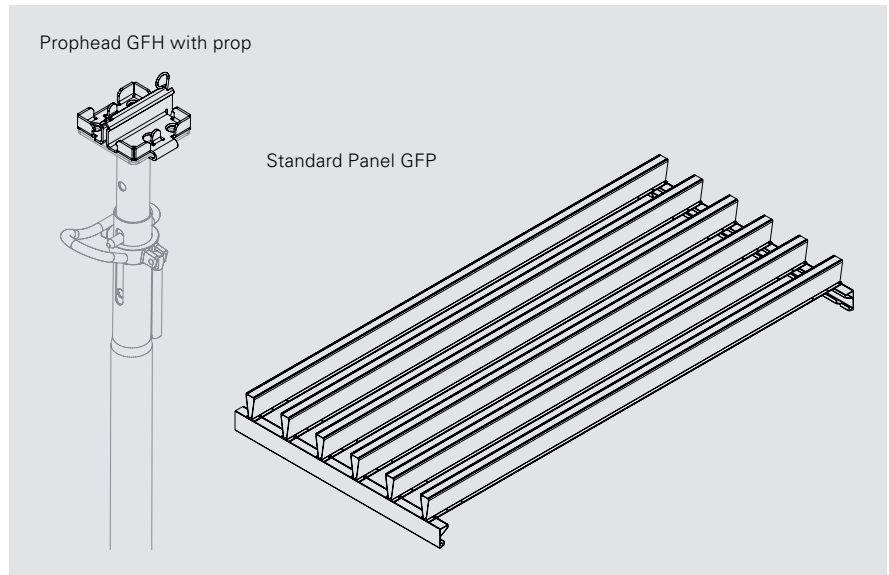


Simple working operations

A systematic assembly sequence with only one standard and two compensation elements

A minimum of system components

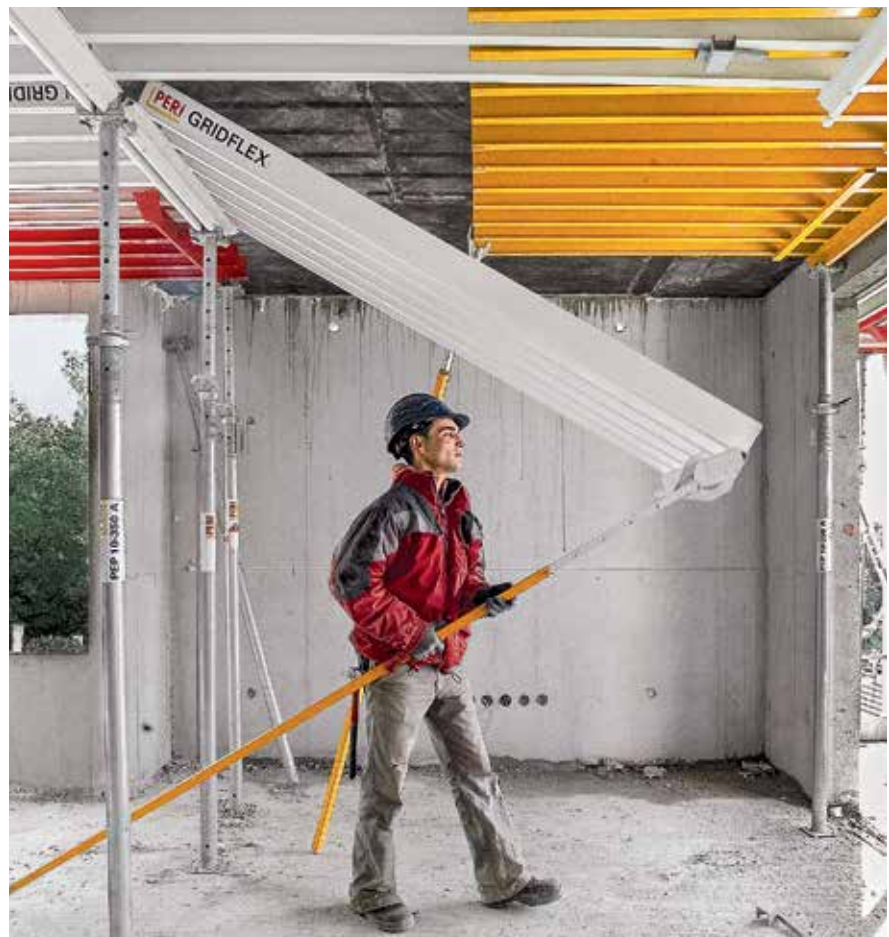
The standard bay is formed using only two main components: the Standard Panel and GRIDFLEX Prophead. This simplifies forming operations and the entire logistics. The regular unchanging assembly sequence results in considerable time savings along with a high level of safety for site personnel.



Systematic installation

GRIDFLEX elements are safely hooked in from below and pushed upwards into position by means of the shuttering aid. Setting up and measuring of props is no longer necessary which means work is accelerated and mistakes are avoided. Furthermore, untrained personnel can quickly learn how to handle the system.

The standard bay has an area of 2 m² and requires only one slab prop whilst the prop loads are very low. With a slab thickness of up to 33 cm, work can be carried out using inexpensive steel tube slab props.



GRIDFLEX is optimized for PEP / PEP Ergo Slab Props. In the case of the standard slab thicknesses (up to 33 cm) used in residential construction, 0.5 props per m² of slab area are sufficient.

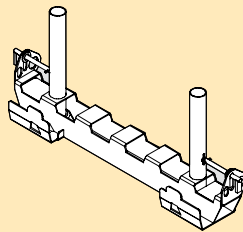


Ergonomic assembly with low individual weights

GRIDFLEX system components are particularly light and can be easily moved by hand. The 200 cm x 100 cm standard panel only weighs 20 kg/m.

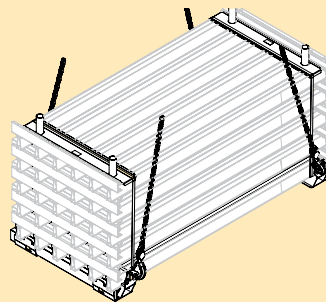
Well thought-out details regarding storage and transportation

With the space-saving Stacking Device GF, GRIDFLEX panels can be stacked, stored and transported very compactly. For safe transportation and protection of the panels, the lashing is placed over the Tension Strap Rail GF.



Stacking Device GF

For separate stacking of the 3 panel types:
Standard Panel GFP 200 x 100
Filler Panel Cross GFC 200 x 100
Filler Panel Longitudinal GFL 150 x 100.



Tension Strap Rail GF 92

For Standard Panels GFP 200 x 100 and Filler Panels GFL 150 x 100.

Tension Strap Rail GF 125

For Filler Panels GFC 200 x 100.

Time-saving design

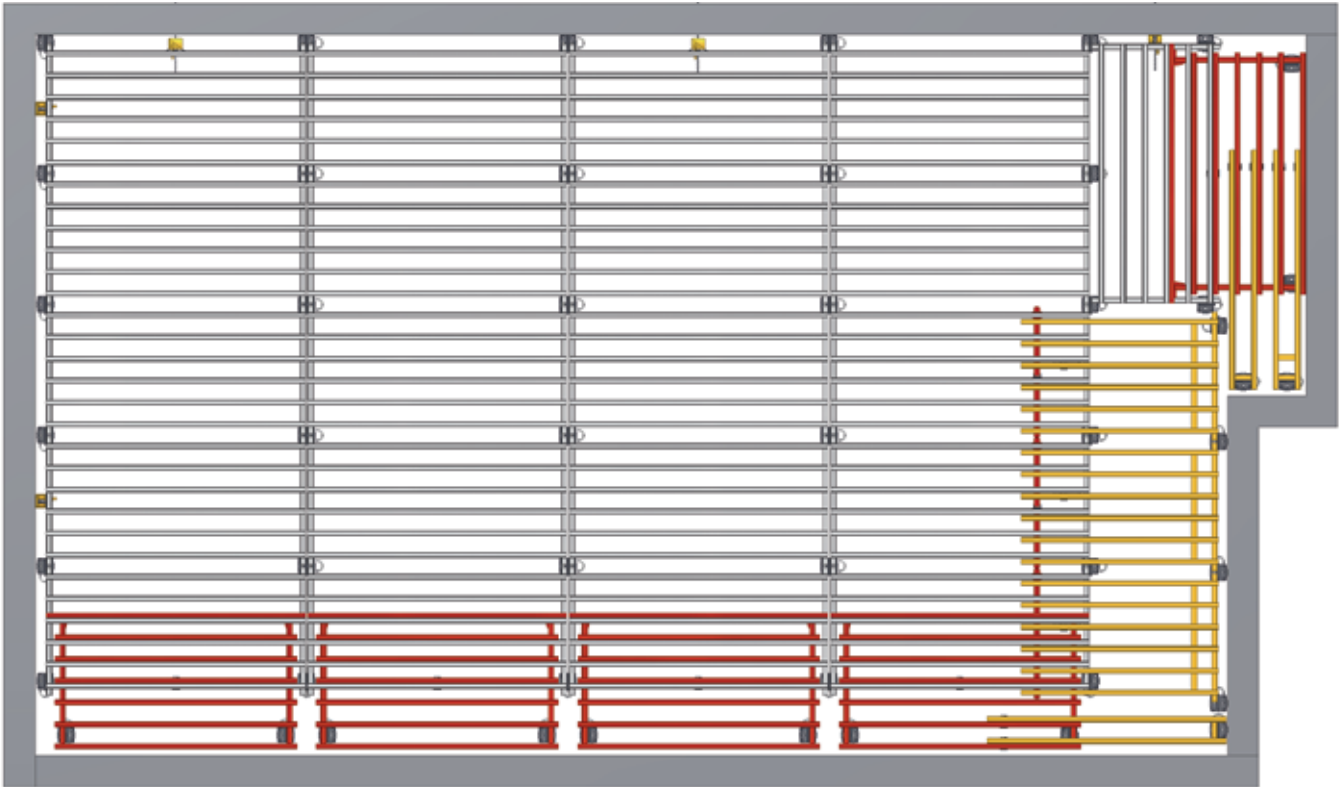
The spring mechanism secures the Prophead to the slab prop. In so doing, the Prophead is attached to the end plate of the slab prop without the need of pins or screws. The slab props can therefore be changed extremely quickly, e.g. to accommodate different slab heights.



A minimum of time and effort:
Mounting of the Prophead GFH on the slab prop.

Filler areas are quickly closed

Simple change of direction, use of longitudinal and transverse infills



A system slab formwork must offer the corresponding flexibility in order to be able to adapt to different floor ground plans. GRIDFLEX provides this flexibility

through a change in the shuttering direction as well as corresponding filler panels.

Changing direction

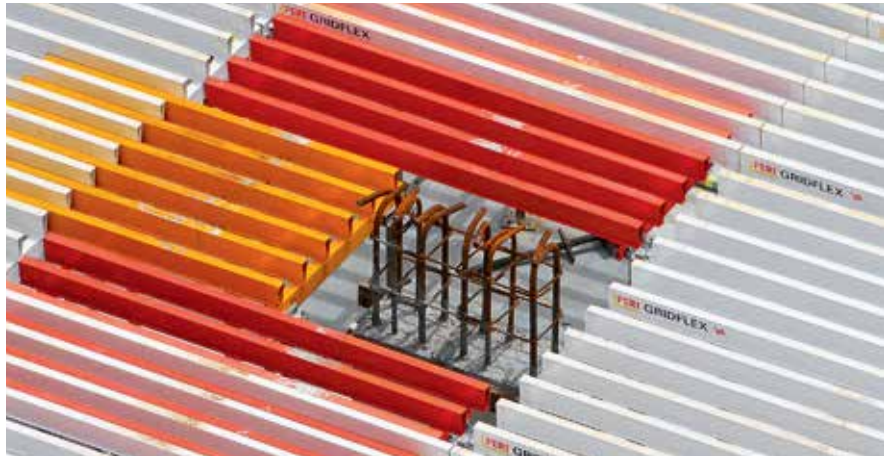
The direction of the GRIDFLEX panels can be changed as required by 90° so that the standard panels can be used for the largest possible area. In this way, filler areas are reduced to a minimum whereby savings are made regarding panel and prop utilization. Also when the direction has been changed, forming continues to take place as before from the ground.



Filler areas are quickly shuttered

In order to close any remaining filler areas, GRIDFLEX offers the corresponding longitudinal and transverse filler panels. The elements must be installed with an overlap to the standard panels. In this way, filler areas can be easily closed in longitudinal as well as in transverse directions whereby columns under construction can also be accommodated.

For ensuring easy handling, GRIDFLEX elements are colour-coded: Standard Panels are white, Filler Panels Longitudinal are red and Filler Panels Cross are yellow. This simplifies both forming operations and logistics.



Free choice of plywood sheet

The type of formlining can be freely selected depending upon requirements so that a wide range of requirements regarding the slab underside can be met. Individual plywood sheets are fixed directly with nails to the GRIDFLEX panels.

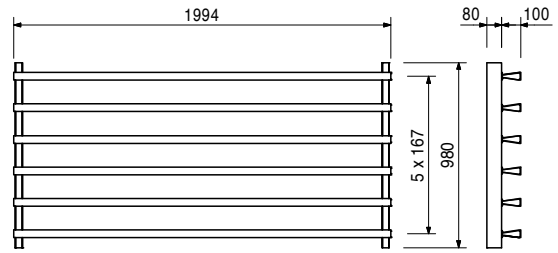
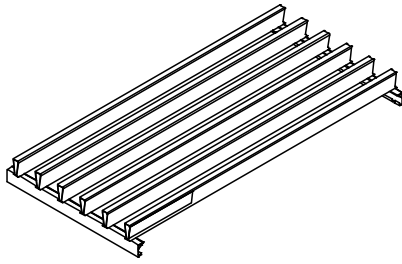


GRIDFLEX Grid Element Slab Formwork



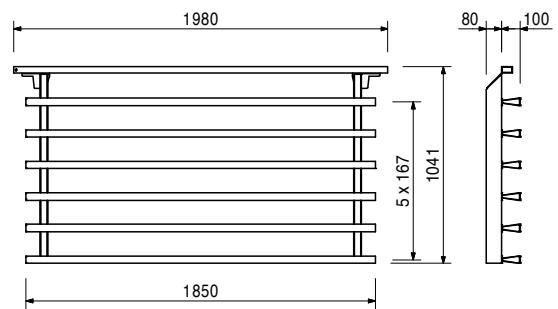
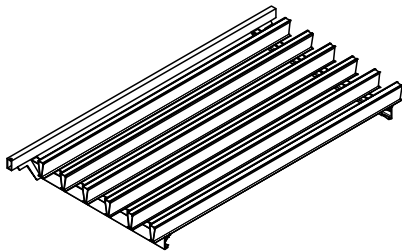
Item no.	Weight kg
110038	20.300

Standard Element GFP 200 x 100
Aluminium, nailable, white powder-coated.



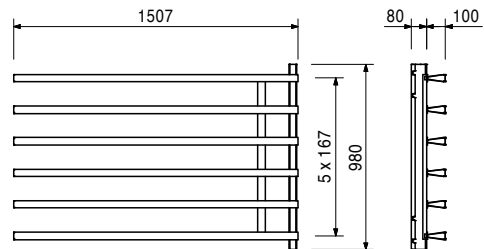
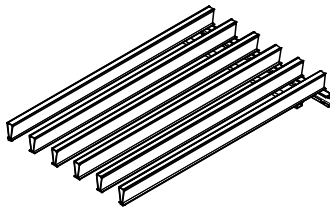
110040	22.100
--------	--------

Filler Element Cross GFC 200 x 100
Aluminium, nailable, red powder-coated.



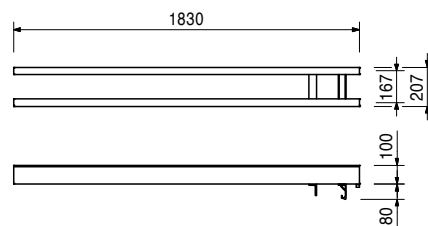
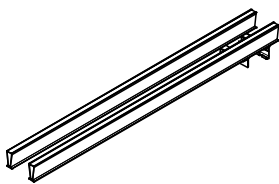
110486	15.000
--------	--------

Filler Element Longitudinal GFL 150 x 100
Aluminium, nailable, yellow powder-coated.



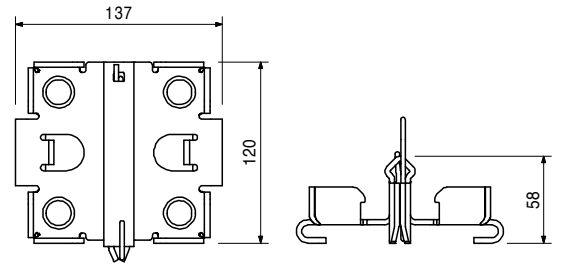
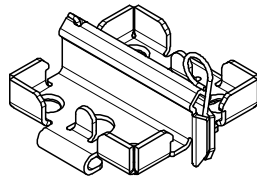
110646	5.800
--------	-------

Filler Element Longitudinal GFL 183 x 20
Aluminium, nailable yellow powder-coated.



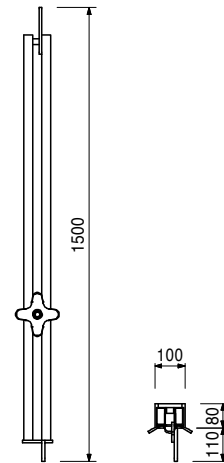
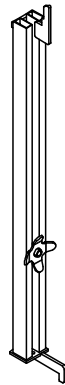
Item no.	Weight kg
109910	0.845

Prophead GFH, galv.
With spring retention. Supports GRIDFLEX elements.



110238	4.880
--------	-------

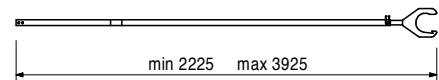
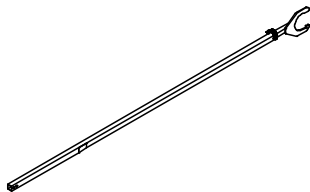
Wall Holder GFW
For horizontal anchoring of the formwork on the wall.



110044	2.340
--------	-------

Shuttering Aid GFA
For forming of GRIDFLEX.

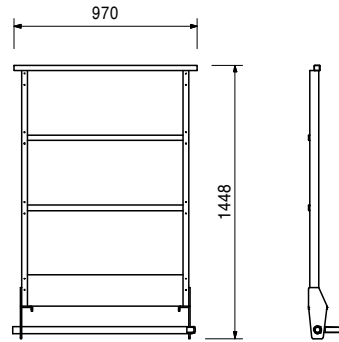
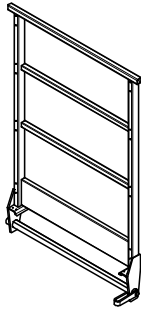
Technical Data
Adjustable in 7.5-cm-increments.



Item no.	Weight kg
110326	7.150

Guardrail GF 100

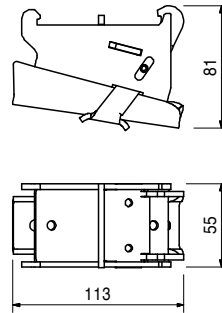
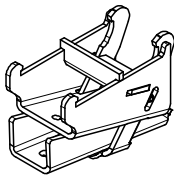
As guardrail for cantilevers. Guardrail height above top edge of plywood = 1.30 m.



110556	0.690
--------	-------

Clamp GFK, galv.

For attaching filler panels to the standard elements.



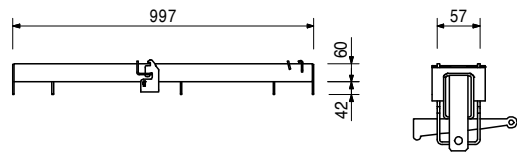
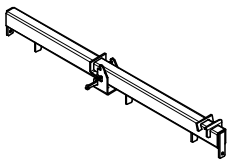
110045	5.120
--------	-------

Traverse GFT

With securing wedge for fixing to the main beam of the element.

Note

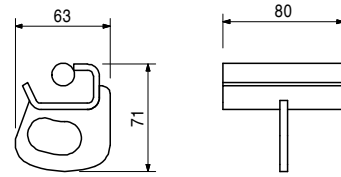
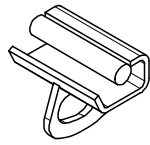
For assembly of length compensation, with props as centre support and support for cantilever elements on the slab edge.



Item no.	Weight kg
110595	0.411

Tension Sleeve GFO
For bracing cantilevered elements.

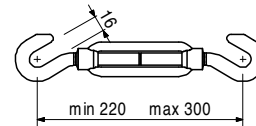
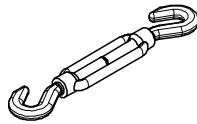
Technical Data
Permissible tension force 3.0 kN.



065074	0.450
--------	-------

Turnbuckle 3.0 kN, M12

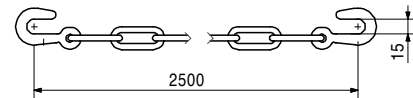
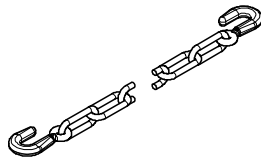
Technical Data
Permissible tension force 3.0 kN.



065073	1.370
--------	-------

Anchor Chain 3.0 kN, l = 2.5 m

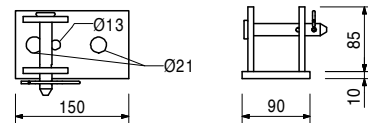
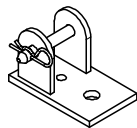
Technical Data
Permissible tension force 3.0 kN.



028100	1.830
--------	-------

Base Plate for RS
For assembly of RS Push-Pull Props.

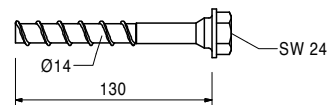
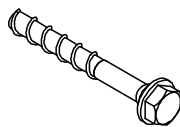
Complete with
1 pc. 018050 Pin \varnothing 16 x 65/86, galv.
1 pc. 018060 Cotter Pin 4/1, galv.



124777	0.210
--------	-------

Anchor Bolt PERI 14/20 x 130
For temporary fixation to reinforced concrete structures.

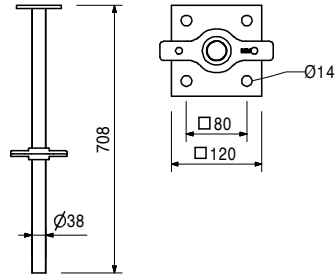
Note
See PERI data sheet!
Drilling \varnothing 14 mm.



Item no.	Weight kg
111291	4.690

Head Spindle GTR 38-70/50

For using GRIDFLEX in combination with PERI UP shoring.



110939	21.700
--------	--------

Stacking Device GF, galv.

For stacking 10 Standard Elements GFP 200 x 100, Filler Elements Cross GFC 200 x 100 or Filler Elements Longitudinal GFL 150 x 100 respectively. Suitable for crane and fork-lift transport. 2 pieces per stack.

Complete with

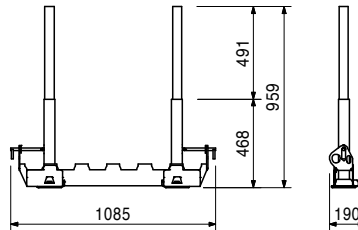
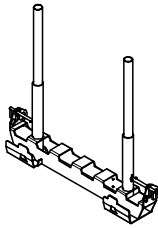
2 pc. 111392 Extension GF 10

Note

Follow Instructions for Use!

Technical Data

Permissible load-bearing capacity
= 175 kg per device
= 350 kg per stacking



Accessories

115427	2.090
115385	4.230

Tension Strap Rail GF 92

Tension Strap Rail GF 125

111392	2.970
--------	-------

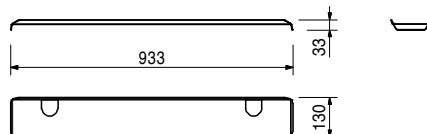
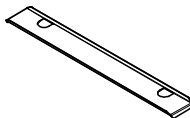
Extension GF 10



115427	2.090
--------	-------

Tension Strap Rail GF 92

As transport protection for GRIDFLEX Elements GFP 200 x 100 and GFL 150 x 100. Yellow powder-coated.



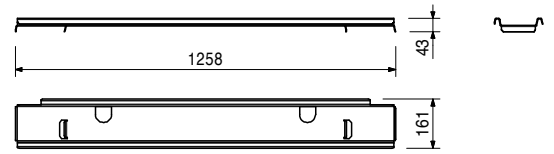
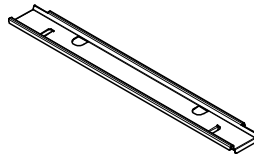
GRIDFLEX Grid Element Slab Formwork



Item no.	Weight kg
115385	4.230

Tension Strap Rail GF 125

As transport protection for GRIDFLEX Elements GFC 200 x 100. Red powder-coated.



111396	28.100
--------	--------

Pallet RP 80 x 110, galv.

For stacking GF 100 guardrails.

Complete with

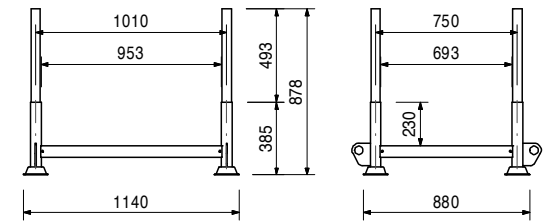
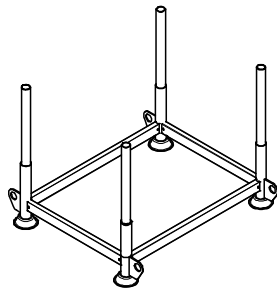
4 pc. 111392 Extension GF 10

Note

Follow Instructions for Use!

Technical Data

Permissible load-bearing capacity 500 kg.



111738	63.900
--------	--------

Pallet GF 85 x 210, galv.

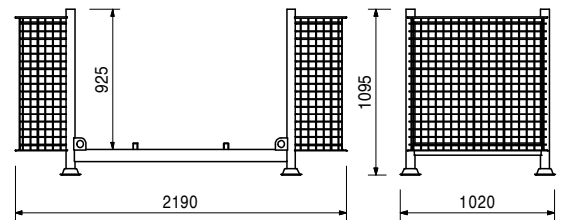
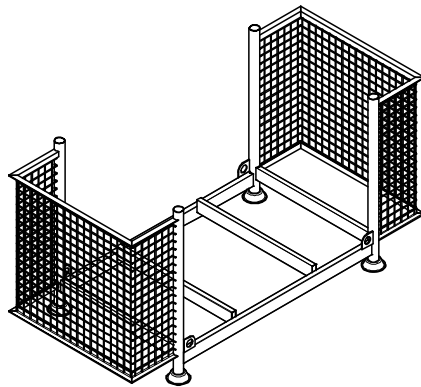
For stacking and transportation of GRIDFLEX Filler Panel GFL 183 x 20.

Note

Follow Instructions for Use!

Technical Data

Permissible load-bearing capacity 750 kg.



Item no.	Weight kg
111566	106.000

Platform GIP 200, complete

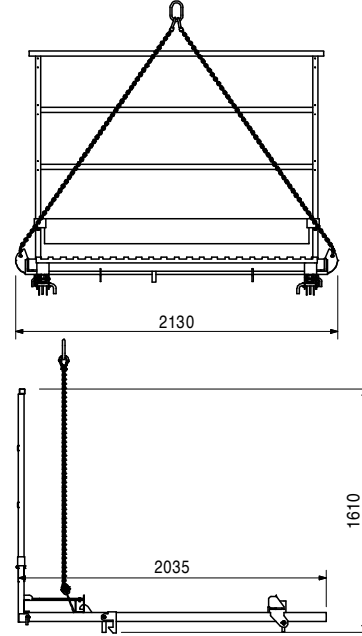
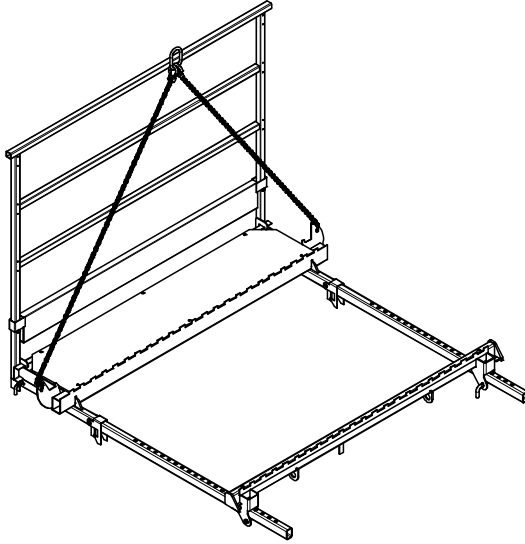
Platform with 12 mm thick decking and insertable guardrail. Delivered as individual components.

Complete with

- 1 pc. 111703 Platform Frame GIP 200
- 1 pc. 111700 Platform Handrail GIP 200
- 2 pc. 111702 Main Beam GIP 200
- 1 pc. 111701 Cross Beam GIP 200

Technical Data

Permissible load 150 kg/m².



111379	265.000
--------	---------

Corner Platform GCP, complete

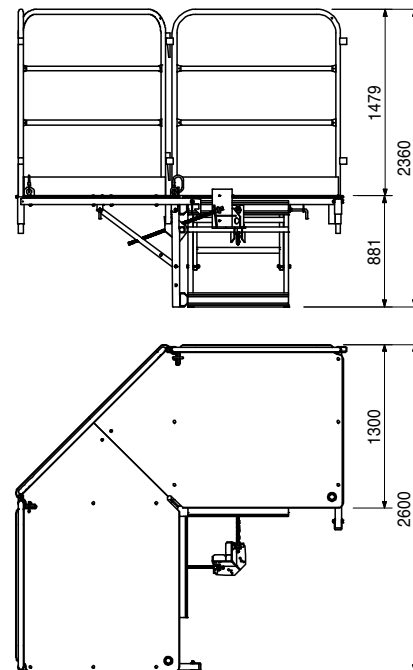
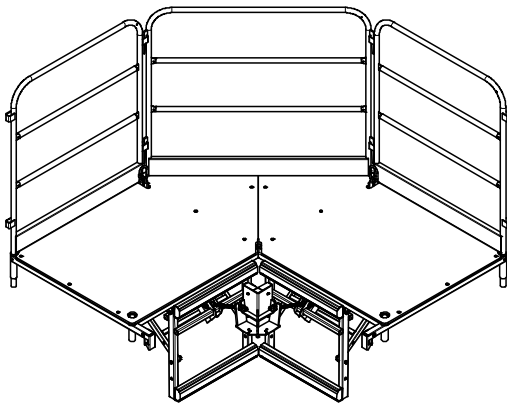
Platform with 21 mm thick decking and insertable guardrail. Delivered as individual components.

Complete with

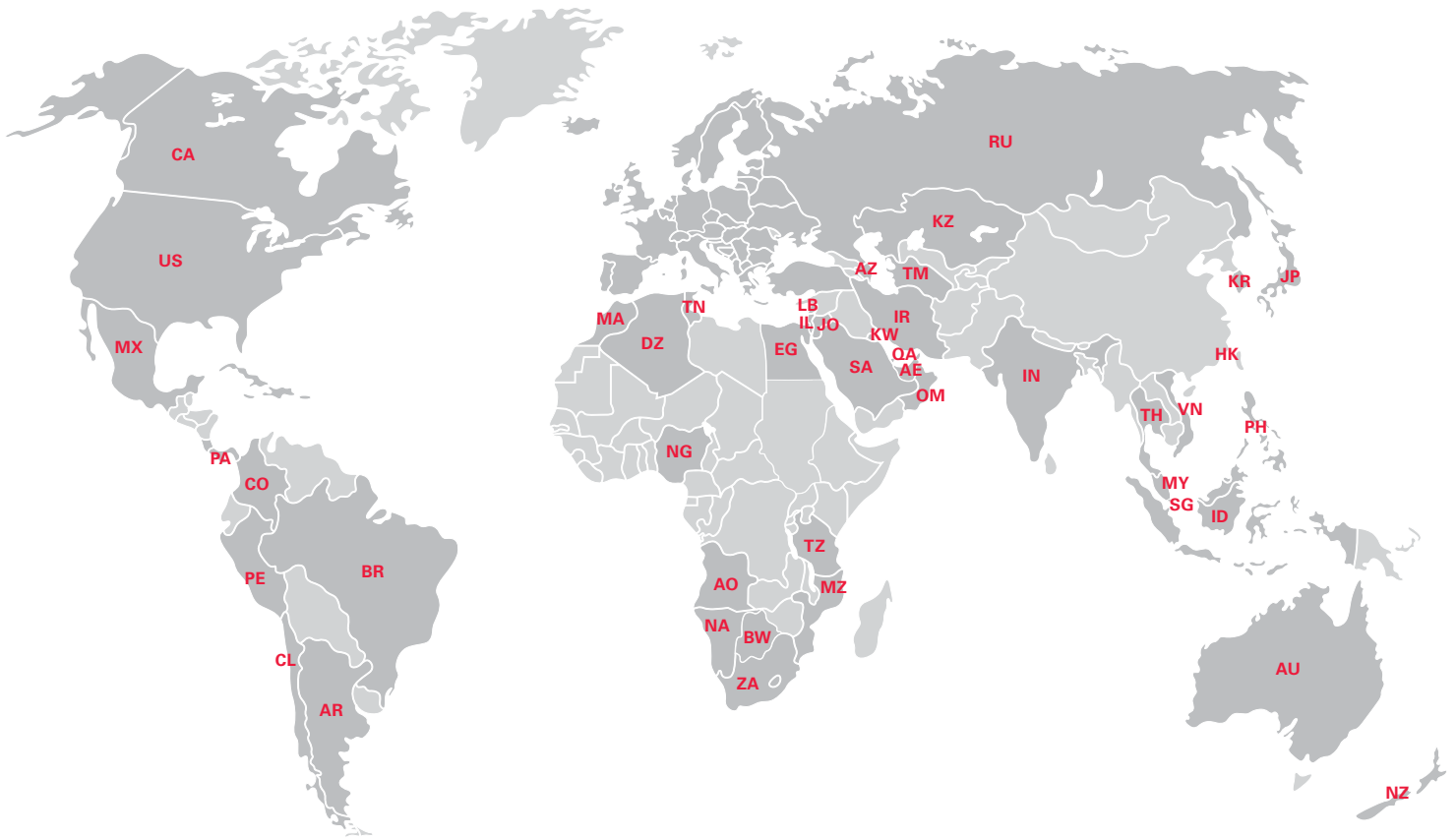
- 1 pc. 111378 Corner Platform GCP
- 2 pc. 111332 Handrail GCP 130, galv.
- 1 pc. 111340 Handrail GCP 160, galv.
- 1 pc. 111324 Internal Angle GCP

Technical Data

Permissible live load 150 kg/m².



PERI International



North America

- CA** Canada
PERI Formwork Systems, Inc.
www.peri.ca
- MX** Mexico
PERI Cimbras y Andamios, S.A. de C.V.
www.peri.com.mx
- PA** Panama
PERI Panama Inc.
www.peri.com.pa
- US** USA
PERI Formwork Systems, Inc.
www.peri-usa.com

South America

- AR** Argentina
PERI S.A.
www.peri.com.ar
- BR** Brazil
PERI Formas e Escoramentos Ltda.
www.peribrasil.com.br
- CL** Chile
PERI Chile Ltda.
www.peri.cl
- CO** Colombia
PERI S.A.S.
www.peri.com.co
- PE** Peru
PERI Peruana S.A.C.
www.peri.com.pe

Africa

- AO** Angola
Pericofragens, Lda.
www.peri.pt
- DZ** Algeria
S.A.R.L. PERI
www.peri.dz
- BW** Botswana
PERI (Proprietary) Limited
www.peri.co.bw
- EG** Egypt
Egypt Branch Office
www.peri.com.eg
- MA** Morocco
PERI S.A.
www.peri.ma
- MZ** Mozambique
PERI (Pty.) Ltd.
www.peri.co.mz
- NA** Namibia
PERI (Pty.) Ltd.
www.peri.na
- NG** Nigeria
PERI Nigeria Ltd.
www.peri.ng
- TN** Tunisia
PERI S.A.U.
www.peri.es
- TZ** Tanzania
PERI Formwork and Scaffolding Ltd
www.peri.co.tz
- ZA** South Africa
PERI Formwork Scaffolding (Pty) Ltd
www.peri.co.za

Asia

- AE** United Arab Emirates
PERI (L.L.C.)
www.peri.ae
- AZ** Azerbaijan
PERI Representative Office
www.peri.com.tr
- HK** Hong Kong
PERI (Hong Kong) Limited
www.perihk.com
- ID** Indonesia
PT Beton Perkasa Wijaksana
www.betonperkasa.com
- IL** Israel
PERI F.E. Ltd.
www.peri.co.il
- IN** India
PERI (India) Pvt Ltd
www.peri.in
- IR** Iran
PERI Pars. Ltd.
www.peri.ir
- JO** Jordan
PERI GmbH – Jordan
www.peri.com
- JP** Japan
PERI Japan K.K.
www.peri.co.jp
- KR** Korea
PERI (Korea) Ltd.
www.perikorea.com
- KW** Kuwait
PERI Kuwait W.L.L.
www.peri.com.kw
- KZ** Kazakhstan
TOO PERI Kazakhstan
www.peri.kz
- LB** Lebanon
PERI Lebanon Sarl
lebanon@peri.de
- MY** Malaysia
PERI Formwork Malaysia Sdn. Bhd.
www.perimalaysia.com
- OM** Oman
PERI (L.L.C.)
www.peri.ae
- PH** Philippines
PERI-Asia Philippines, INC.
www.peri.com.ph
- QA** Qatar
PERI Qatar LLC
www.peri.qa
- SA** Saudi Arabia
PERI Saudi Arabia Ltd.
www.peri.com.sa
- SG** Singapore
PERI Asia Pte Ltd
www.periasia.com
- TM** Turkmenistan
PERI Kalıp ve İşkeleleri
www.peri.com.tr
- TH** Thailand
Peri (Thailand) Co., Ltd.
www.peri.co.th
- VN** Vietnam
PERI ASIA PTE LTD
www.peri.com.vn

PERI

PERI GmbH
Formwork Scaffolding Engineering
Rudolf-Diesel-Strasse 19
89264 Weissenhorn
Germany
Tel. +49 (0)7309.950-0
Fax +49 (0)7309.951-0
info@peri.com
www.peri.com



Oceania

AU Australia
PERI Australia Pty. Ltd.
www.periaus.com.au

NZ New Zealand
PERI Australia Pty. Limited
www.peri.co.nz

Europe

AL Albania
PERI Kalıp ve İskeleleri
www.peri.com.tr

AT Austria
PERI Ges.mbH
www.peri.at

BA Bosnia and Herzegovina
PERI oplate i skele d.o.o
www.peri.com.hr

BE Belgium
N.V. PERI S.A.
www.peri.be

BG Bulgaria
PERI Bulgaria EOOD
www.peri.bg

BY Belorussia
IOOO PERI
www.peri.by

CH Switzerland
PERI AG
www.peri.ch

CZ Czech Republic
PERI spol. s r.o.
www.peri.cz

DE Germany
PERI GmbH
www.peri.de

DK Denmark
PERI Danmark A/S
www.peri.dk

EE Estonia
PERI AS
www.peri.ee

ES Spain
PERI S.A.U.
www.peri.es

FI Finland
PERI Suomi Ltd. Oy
www.perisuomi.fi

FR France
PERI S.A.S.
www.peri.fr

GB United Kingdom
PERI Ltd.
www.peri.ltd.uk

GR Greece
PERI Hellas Ltd.
www.perihellas.gr

HR Croatia
PERI oplate i skele d.o.o.
www.peri.com.hr

HU Hungary
PERI Kft.
www.peri.hu

IR Ireland
Siteserv Access & Formwork
www.siteservaccess.ie

IS Iceland
Armar ehf.
www.armor.is

IT Italy
PERI S.r.l.
www.peri.it

LT Lithuania
PERI UAB
www.peri.lt

LU Luxembourg
N.V. PERI S.A.
www.peri.lu

LV Latvia
PERI SIA
www.peri-latvija.lv

NL Netherlands
PERI B.V.
www.peri.nl

NO Norway
PERI Norge AS
www.peri.no

PL Poland
PERI Polska Sp. z o.o.
www.peri.com.pl

PT Portugal
Pericofragens Lda.
www.peri.pt

RO Romania
PERI România SRL
www.peri.ro

RS Serbia
PERI oplate d.o.o.
www.peri.rs

RU Russia
OOO PERI
www.peri.ru

SE Sweden
PERI Sverige AB
www.peri.se

SI Slovenia
PERI oplate i skele d.o.o
www.peri.com.hr

SK Slovakia
PERI spol. s r.o.
www.peri.sk

TR Turkey
PERI Kalıp ve İskeleleri
www.peri.com.tr

UA Ukraine
TOW PERI
www.peri.ua

**The optimal System
for every Project and
every Requirement**



Wall Formwork



Column Formwork



Slab Formwork



Climbing Systems



Bridge Formwork



Tunnel Formwork



Shoring Systems



Construction Scaffold



Facade Scaffold



Industrial Scaffold



Access



Protection Scaffold



Safety Systems



System-Independent Accessories



Services



PERI GmbH
Formwork Scaffolding Engineering
 Rudolf-Diesel-Strasse 19
 89264 Weissenhorn
 Germany
 Tel. +49 (0) 7309.950-0
 Fax +49 (0) 7309.951-0
 info@peri.com
 www.peri.com